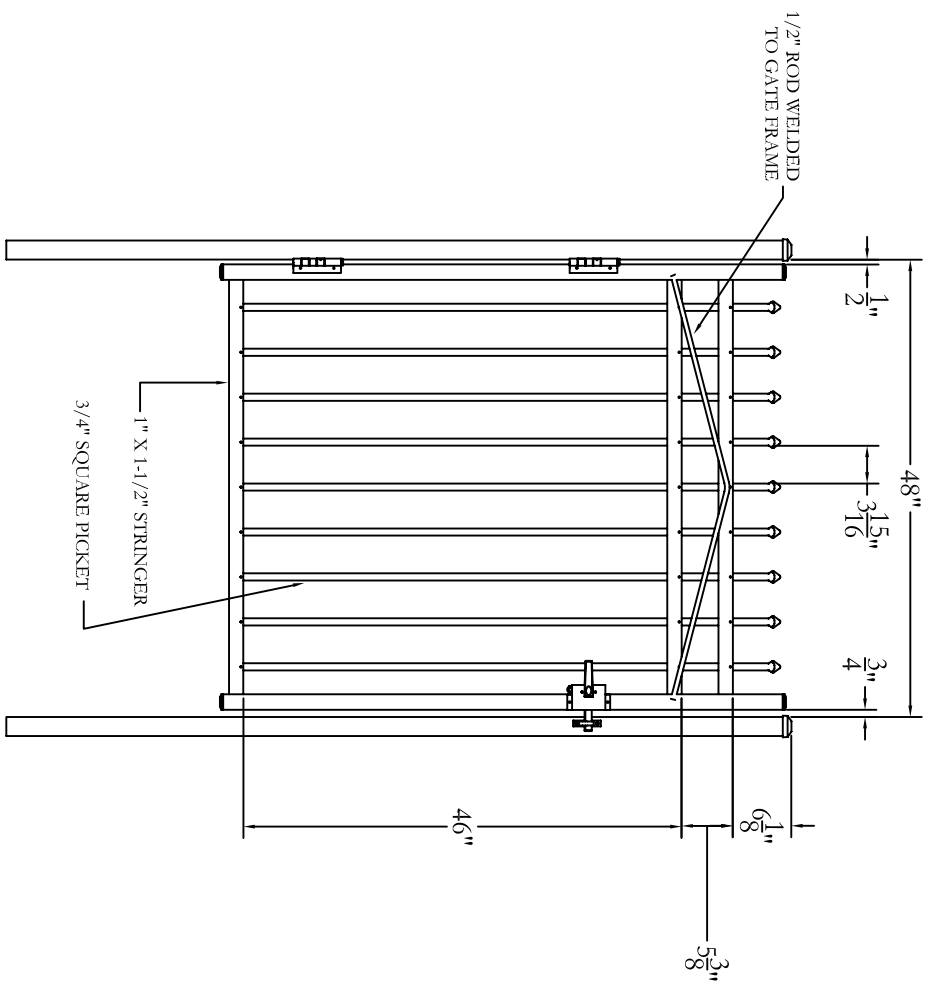
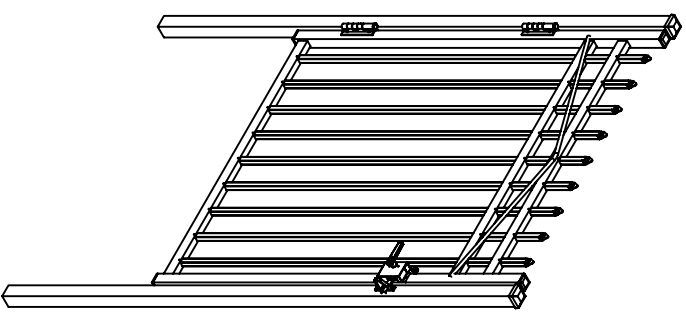


REV	DATE	DESCRIPTION	BY	APPROVED
NC		INITIAL RELEASE		



South
 Manufacturing Co., Inc.
 Philadelphia, PA 19154
 (800) 344-2242

DRAWING:
 BUCKINGHAM GATE
 60" HIGH X 48" WIDE

SIZE	DWG NO.	DATE	SHEET	REV
D	RG60UB48	2-25-04	1 OF 1	NC
SCALE				

© 2004. This drawing may not be altered or reproduced without the permission of Jereth Manufacturing Co., Inc.